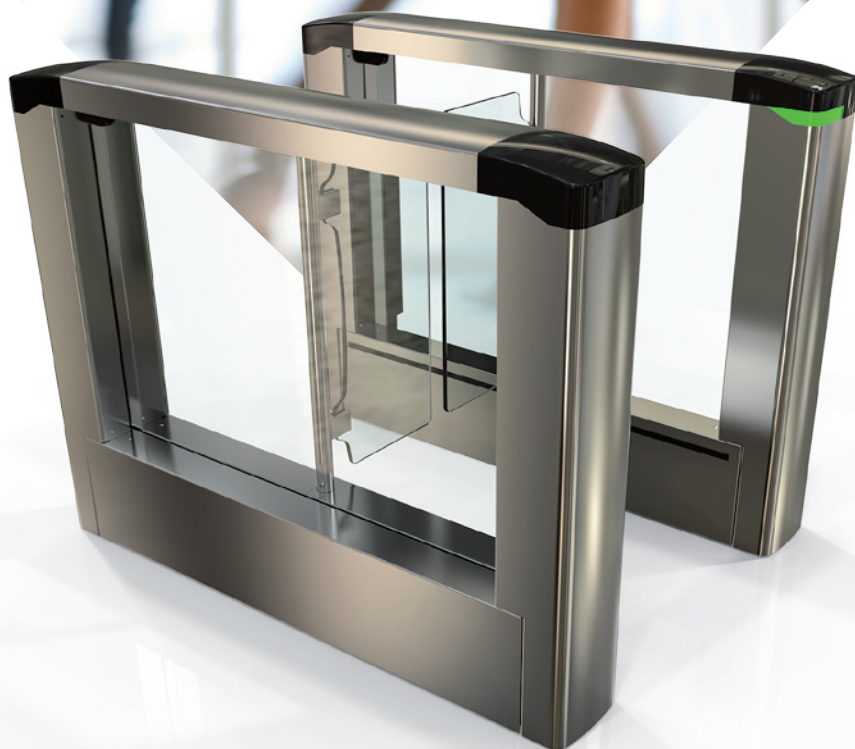


FirstLane

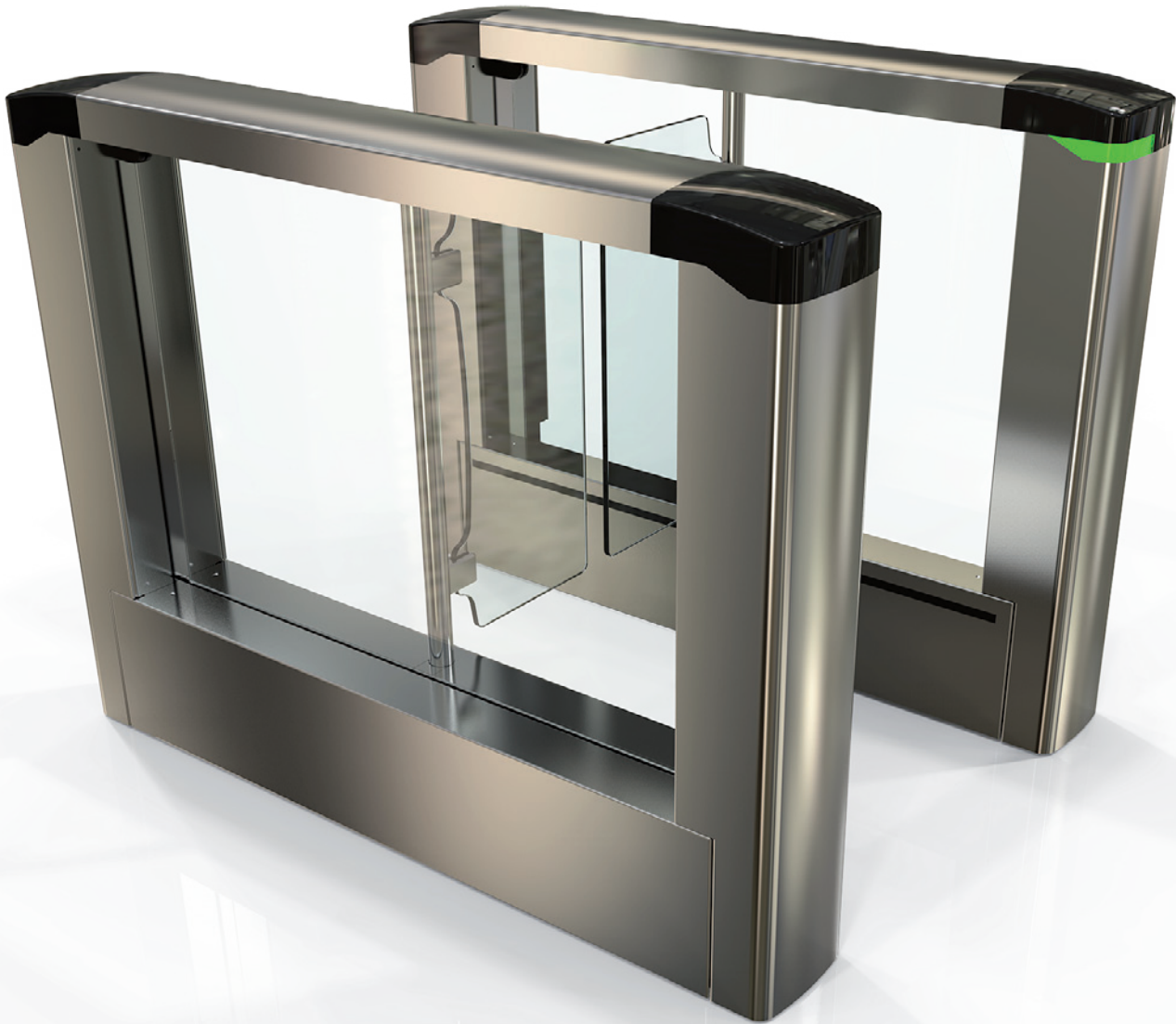
Security turnstiles



AS **AUTOMATIC**
SYSTEMS

Access controlled...
Future secured

AS FirstLane



WATCH
THE VIDEO :



FirstLane double swing door security turnstiles provide a high bi-directional flow and safety without compromise.

With its modern and stylish design, FirstLane is perfectly suited to any type of architecture. Its exclusive detection system ensures precise user tracking for maximum safety and security. FirstLane combines high throughput with state-of-the-art detection.



Best in class security turnstile

RELIABILITY

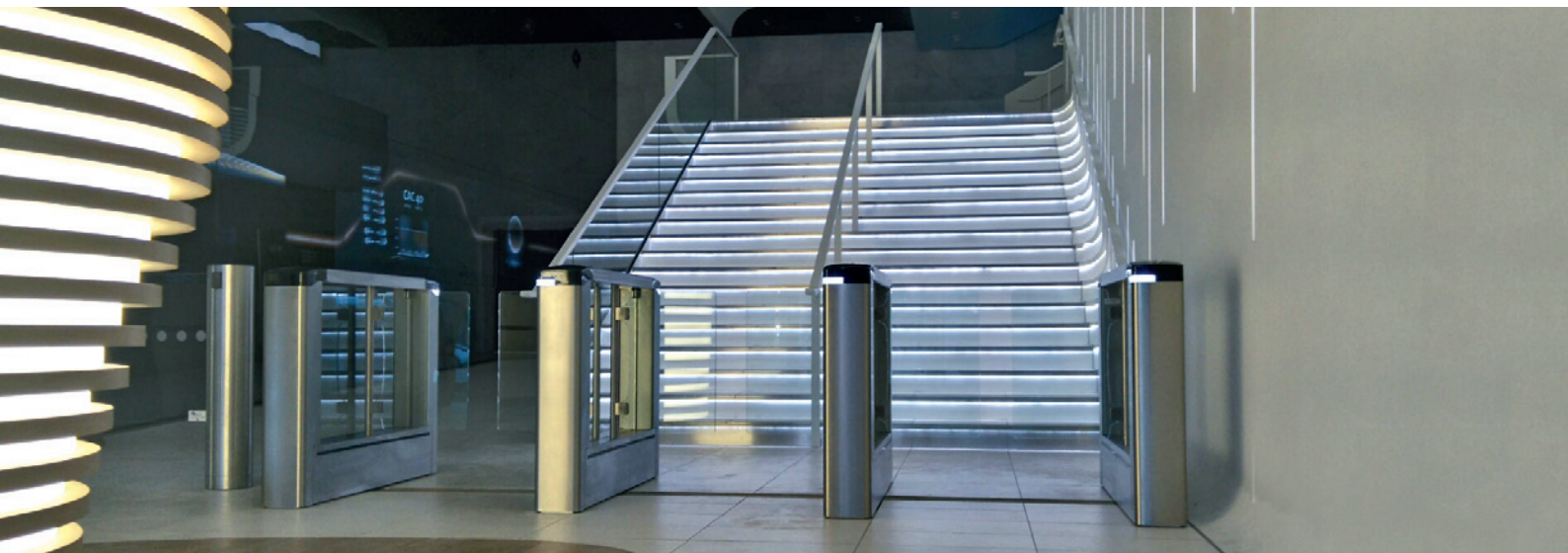
- Low cost of ownership
- World leader in speed gates
- Automatic Systems quality guarantee

BENEFITS

- Reduced need for manned entrance
- Low energy consumption for a low carbon footprint
- Easy to install

MARKETS

- Banks and insurance companies
- Office buildings, head offices and administrative sites
- Schools, universities and colleges
- Government buildings and institutions



CONNECTIVITY

- **TCP/IP COMMUNICATION** enabled by embedded software allowing real-time monitoring and equipment configuration locally or remotely via a simple web-browser as well as a diagnostic tool for complete maintenance.
- **INFORMATION TRANSFER BY:**
 - Ethernet interface (XML/RPC software)
 - Dry contacts (passage authorised, passage information, fraud, technical default...)
- **SMART N' SLIM** monitoring panel for remote management of the turnstiles (optional): a true control centre, the Smart n' Slim monitoring panel manages multiple lanes, regardless of where the units are located. Smart n' Slim is a flexible command centre and allows for visualisation, control and consultation.

ROBUST

STEEL FRAME

- Robust and stable
- RoHS anti-corrosion zinc plating treatment
- Housing is in AISI 304L stainless steel

SIDE PANELS

Clear 8 mm thick tempered monolithic glass

OBSTACLES

Clear 10 mm thick tempered monolithic glass obstacles

SAFETY

- **PREVENTS FINGER ENTRAPMENT** and other impacts
- **DYNAMIC, ELECTRONIC USER PROTECTION**
- **ELECTRO-MECHANICAL DRIVE UNITS** including:
 - Controller for progressive accelerations and decelerations of the obstacles, for smooth movement and enhanced user safety
 - Geared electromagnetic brake for locking of obstacles in the event of forced entry attempts
 - Sensor monitoring the obstacle position
- **EUROPEAN STANDARD SAFETY EN 16005:** Requirements regarding the strength of trapping and impact energy

SECURITY

- **BEST IN CLASS FOR ELECTRONIC DETECTION**
- **PROPRIETARY DIRAS DETECTION SYSTEM**
 - High-density matrix of infrared beams (every 22,5 mm) follows users' progression through the gate.
 - Dynamic and predictive (size, position, direction) algorithms ensuring top of the class performance for fraud detection: tailgating, piggybacking, trolleys, children, u-turn, crossing, multiple entries...



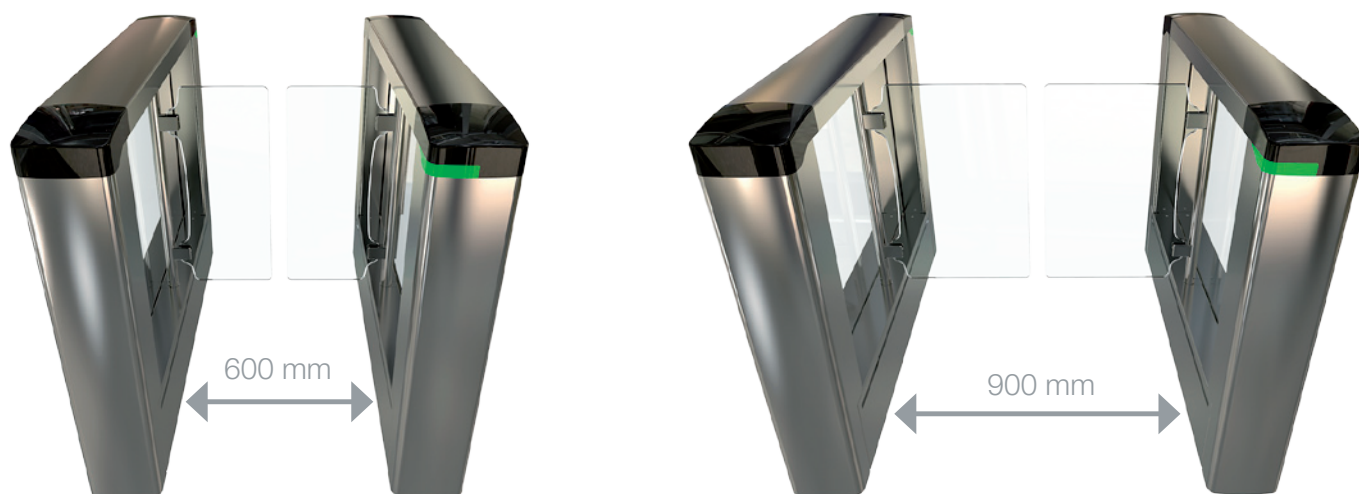
AESTHETICS

- Modern and stylish look
- Brushed stainless steel housing
- **FUNCTION PICTOGRAMS** for intuitive use

THROUGHPUT

- Fast opening and closing of the obstacles
- Bi-directional movement





FirstLane 960

STANDARD LANE

- Passage width: 600 mm
- Obstacle height: 910 mm
- Footprint (W x L): 980 x 1300 mm

FirstLane 970

WIDE LANE

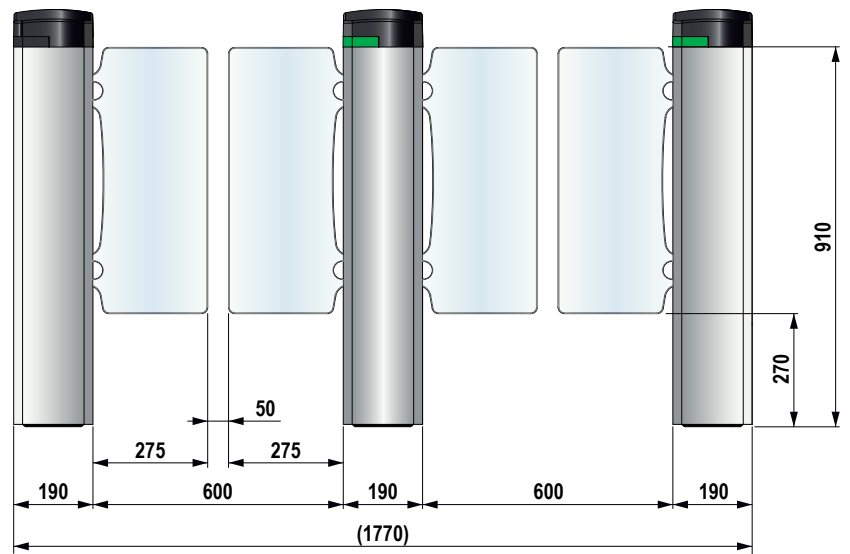
- Passage width: 900 mm
- Obstacle height: 910 mm
- Footprint (W x L): 1280 x 1300 mm

TECHNICAL SPECIFICATIONS

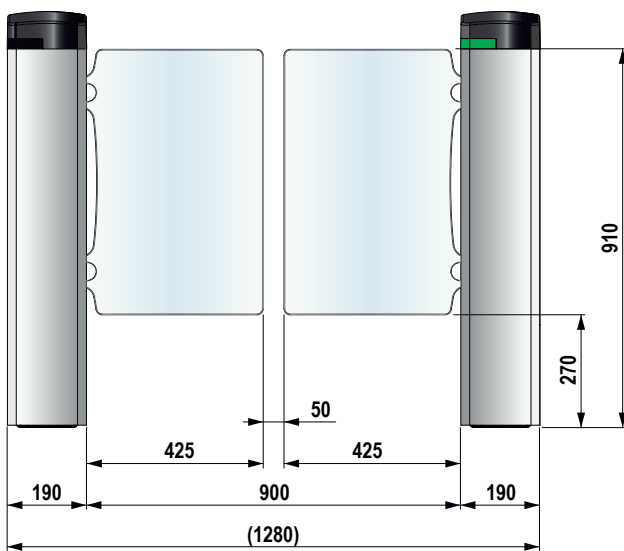
Electrical supply	Single phase 110-240 VAC (±10%) – 5 A – 50/60 Hz + ground
Power consumption	Standby: 20 W Cycle: 35 W Maximum: 80 W
Motors (x2)	24 VDC – nominal output power 86W
Passageway (L)	FirstLane 960: 600 mm / FirstLane 970: 900 mm
Min opening or closing times	0.7s (depending of passageway)
Temperature range: operating	0°- 50°C
Humidity: operating	< 95%, no condensation
Noise level	55 dB
Weight	From 103 to 127 kg
IP	40
CE	Conforms to European standards

DIMENSIONS (MM)

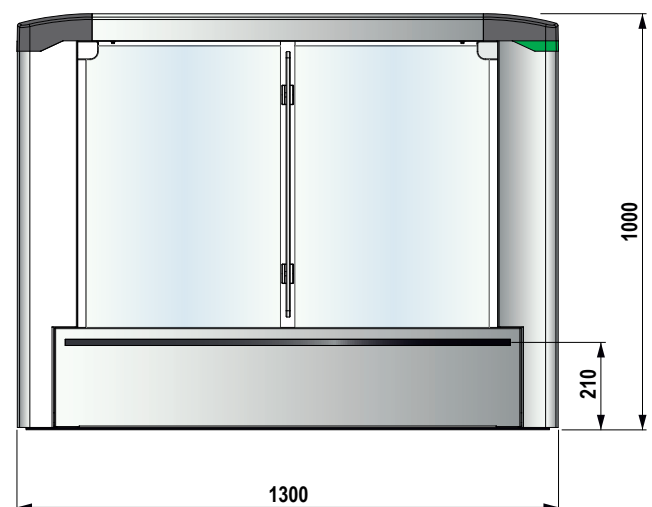
FirstLane 960 



FirstLane 970  



FirstLane 960/970



WORK TO BE PROVIDED BY THE CUSTOMER

- Bolting the unit to the floor
- Power supply
- Cabling between gates in the same array
- Cabling to any external peripherals
- Integration of any accessories

Note: Comply with the installation drawing

With a constant view to adopting the latest technological developments, Automatic Systems reserves the right to amend the above information at any time.

PRECAUTIONS FOR USE

- For security reasons, children must be supervised by an adult at all times when in the vicinity of the unit and during passage through the lane.
- A child must always precede the accompanying adult when lane passage is required.



Access controlled...
Future secured

HEADQUARTERS - INTERNATIONAL SALES AUTOMATIC SYSTEMS SA

Avenue Mercator 5 – 1300 Wavre
BELGIUM
T. : +32 (0)10 230 211
F. : +32 (0)10 230 202
sales.asgroup@automatic-systems.com

LOCAL OFFICES IN THE WORLD

FRANCE

T. : +33 (0)1 30 28 95 50 (Vehicle – Persan office)
T. : +33 (0)1 56 70 07 07 (Pedestrian – Rungis office)
Email : sales.fr@automatic-systems.com

SPAIN

T. : +34 (0)93 478 77 55 (Barcelona office)
T. : +34 (0)91 659 07 66 (Madrid office)
Email : sales.es@automatic-systems.com

UNITED KINGDOM

T. : +44 (0)1604 65 42 10
Email : sales.uk@automatic-systems.com

UNITED STATES

T. : +1 516 944 94 98
Email : sales.us@automatic-systems.com

CANADA

T. : +1 450 659 07 37
Email : sales.ca@automatic-systems.com

Find our list of partners on our website

www.automatic-systems.com